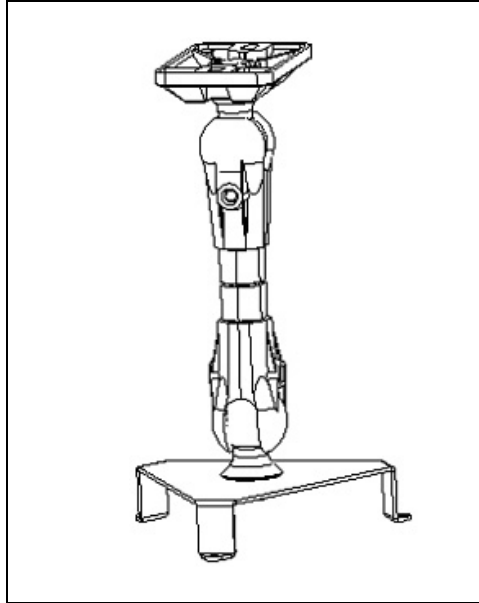


INSTALLATION INSTRUCTIONS

Model: CM-E73X

Compatible Models: Optoma EP731/732/732H/737/738/739/H30



READ THIS BEFORE YOU START

- ▶ Maximum weight limit is 20 pounds (9.1 kg). Do not exceed this limit.
- ▶ Always use caution and care when working with heavy projectors.
DO NOT TAKE UNNECESSARY RISKS!
- ▶ Once you have chosen a location for the mount, determine the construction of the ceiling.
 - Solid wood surface: a beam, or a wood joist inside the wallboard.
 - Wallboard: sheet rock, plasterboard or paneling.
 - Masonry: plaster, cement or brick.
- ▶ It is recommended that the ceiling mount be mounted to a ceiling beam or wood joist.
- ▶ **CAUTION:** Use only the supplied TOGGLER® TC® drywall/plasterboard anchors to support the ceiling mount screws. Use them as anchors to fasten the ceiling mount to sheet rock, plaster board or paneling. Use the TOGGLER® Alligator® anchor for solid wood or masonry. (See enclosed TOGGLER® Anchoring Solutions brochure.)
- ▶ Before installing the ceiling mount, make sure the mounting location is sturdy enough to support the projector. If you are not sure that your location will hold the projector's weight, contact a professional contractor for advice.
- ▶ Recommend maximum extension; do not exceed 15 inches if the base joint is angled.

TOOLS REQUIRED

- Hex wrench (included).
- Phillips screwdriver
- Drill with a 5/16" bit for the TC® anchors
- Drill with a 1/4" bit for the AF6 Alligator® anchors.
- Two crescent or 3/4" open-end wrenches.

BERING T.M.

1 INSTALLING THE CEILING MOUNT

1. Select an appropriate projector mounting location and extension shafts (Part No. 9, 10, 11) needed, if any, to get the required projector position. Place the Heavy Duty Ceiling Mount Assembly (Part No. 3) in the desired location, using the mount as a template; mark the two slots onto the mounting surface.
2. Refer to the TOGGLER® brochure “Anchoring Solutions,” (Part No. 8). Then follow the instructions that are appropriate for the type of surface on which you will be attaching the Heavy Duty Ceiling Mount Assembly. **Note: if you are using the Alligator® anchors, they must be installed in the center of the ceiling joist or beam. Installation along the edge of the joist can cause splitting.**
3. Drill the appropriate sized hole at each marked location and insert the previously selected anchor (Part No. 5 or 6) into place.
4. Place the Ceiling Mount Assembly onto the anchors and insert two 2-inch wood screws (Part No. 7). Tighten until snug. *Do not over tighten.*

2 INSTALLING THE PROJECTOR MOUNT

1. Place the PROJECTOR upside down on a flat surface. Being careful not to damage the projector.
2. Place the Heavy Duty Projector Mount Assembly (Part No. 1) onto the projector, lining up the three mounting holes. Using three of the Phillips Projector Mount Screws (Part No. 2), secure the mount to the projector.

3 FINAL ASSEMBLY AND ADJUSTMENT

1. Attach the required extension shafts, if any, using a 1/4" star washer (Part No. 12), between each joint.
2. On the Heavy Duty Ceiling Mount Assembly (Part No. 3) loosen the hexagon shaft and ball joint, using the hex wrench (Part No. 13) to unscrew the locking screw in the ball joint.
3. Raise the projector and mount assembly into position under the ceiling mount. Screw the two assemblies together by twisting the hexagon shaft, from step 2 above. Make sure you placed a star washer in this joint also.
4. Using two wrenches, tighten the two hexagon shafts and extension shafts, if any, compressing the star washers.
5. On the Heavy Duty Projector Mount Assembly (Part No. 1) loosen the ball joint by unscrewing the locking screw.
6. Now position the projector and tighten the two ball joints firmly into place using the hex wrench.

APPENDIX: PARTS LIST

#	Description	Qty.
1	Projector Mount Assembly	1
2	Projector Mount Screws	4
3	Ceiling Mount Assembly	1
4	TOGGLER® TC® anchor (not shown)	3
5	TOGGLER® AF6 Alligator® anchor (not shown)	3
6	TOGGLER® Red Key (not shown)	1
7	#10 x 2" Truss Head Phillips Screws	3
8	“Anchoring Solutions” brochure (not shown)	1
9	24" safety cable	1
10	6" Extension Shaft (not shown)	1
11	9" Extension Shaft (not shown)	1
12	1/4" Star Washers	4
13	Hex Wrench	1

